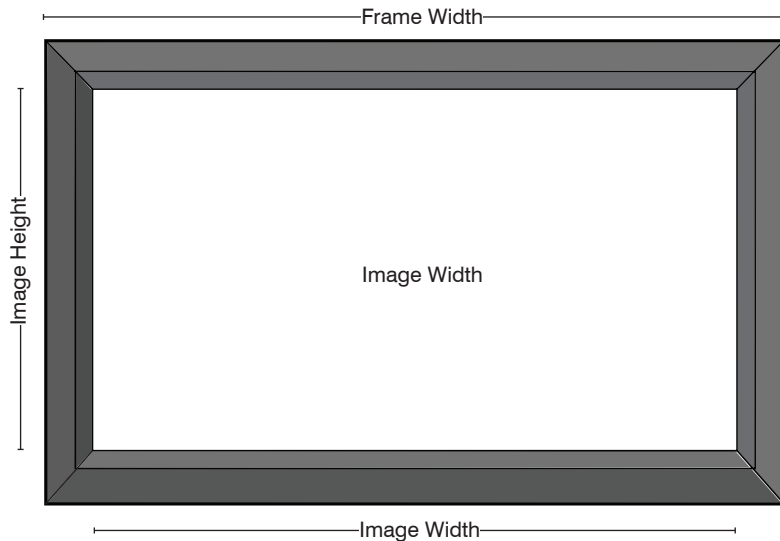


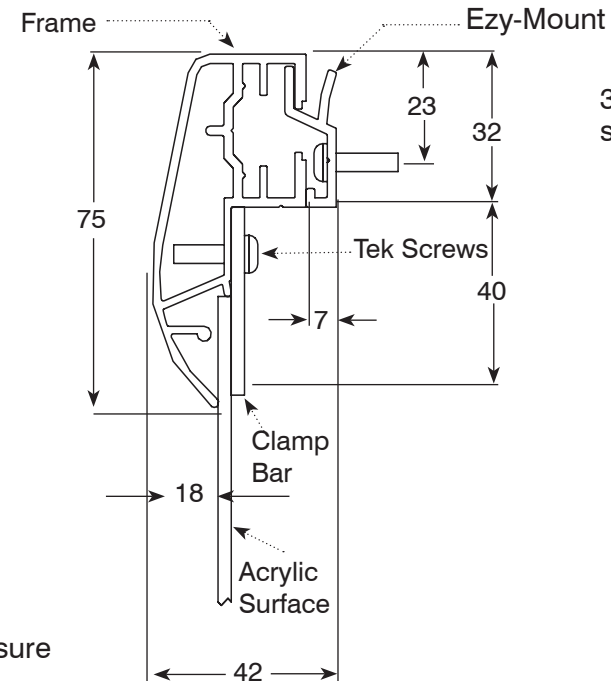
Specifications for LP Morgan Galleria Screenboard Frame Screen



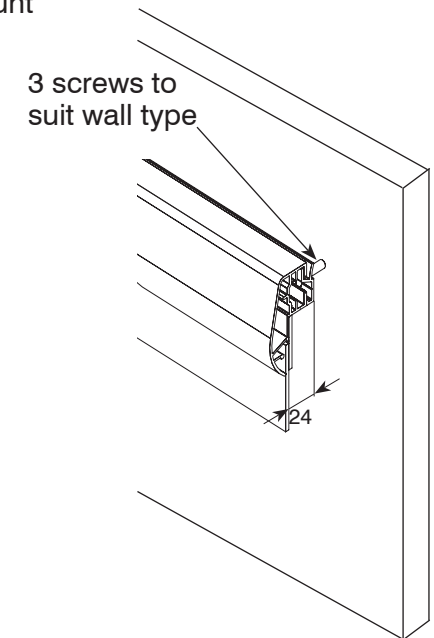
Frame and Image Dimensions



Mounting Configuration (Section View)



Installation (section View)



- Surface: Acrylic anti-reflective projection surface
5mm thickness stable writing surface doesn't flex under pressure
- Frame: Designer 75mm frame with Black Onyx finish
- Assembly: None required, the screen board is supplied fully assembled
- Mounting: Ezymount wall mounting provided for fast and easy installation

Product Code	Diagonal (inches)	Aspect Ratio	Image Size (W x H) mm	Frame Size (W x H) mm	Shipping size W x H x D (mm)
LPM50SB084V	84"	4:3	1700 x 1270	1850 x 1420	1900 x 1500 x 100
LPM50SB090V	90"	4:3	1830 x 1370	1980 x 1520	2100 x 1650 x 100
LPM50SB100V	100"	4:3	1985 x 1485	2135 x 1635	2250 x 1750 x 100
LPM51SB092H	92"	16:9	2030 x 1140	2180 x 1290	2300 x 1400 x 100
LPM51SB100H	100"	16:9	2210 x 1245	2360 x 1395	2450 x 1500 x 100
LPM51SB110H	110"	16:9	2440 x 1370	2590 x 1520	2700 x 1600 x 100

Tolerance +/- 10mm

Manufactured in Australia, LP Morgan can create a tailor made solution to your requirements. For more information check out www.lpmorgan.com.au or call 1300 730 025